



SERIES RHP | HUMIDITY/TEMPERATURE TRANSMITTER

FEATURES/BENEFITS

- 2%, 3%, or 5% accuracy models to meet project requirements
- Integral temperature sensors reduces number of devices to install
- Radiation shield option protects sensor from radiant heating effects allowing for accurate readings even when mounted in direct sunlight

APPLICATIONS

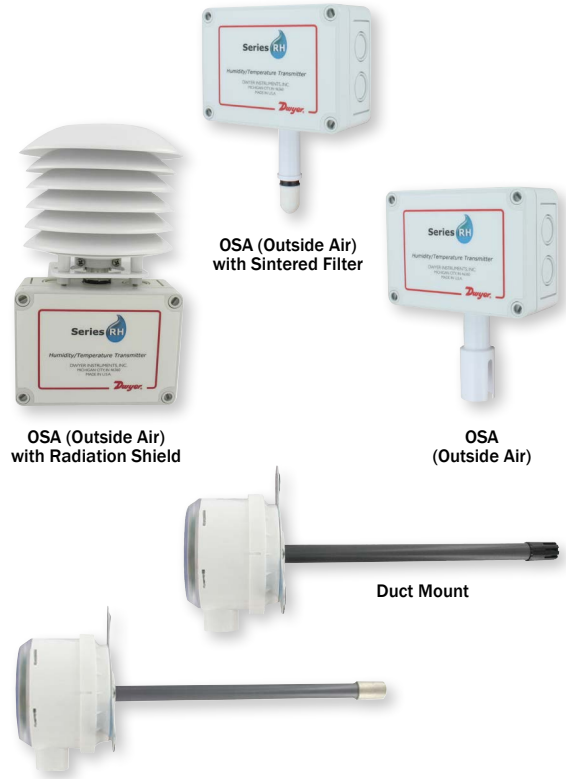
- Air economizers
- Outdoor temperature and relative humidity reference for building systems

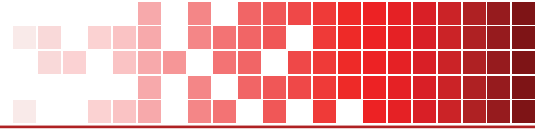
DESCRIPTION

The **SERIES RHP** Temperature and Humidity Transmitter combine the voltage or current humidity transmitter output with a passive temperature thermistor or RTD output. The polymer capacitance humidity sensor reduces longterm affect of condensation, fog, or high humidity. The humidity sensors are available with 2%, 3% or 5% accuracies. Duct mounted transmitters are available with an optional two-line alpha numeric LCD display.

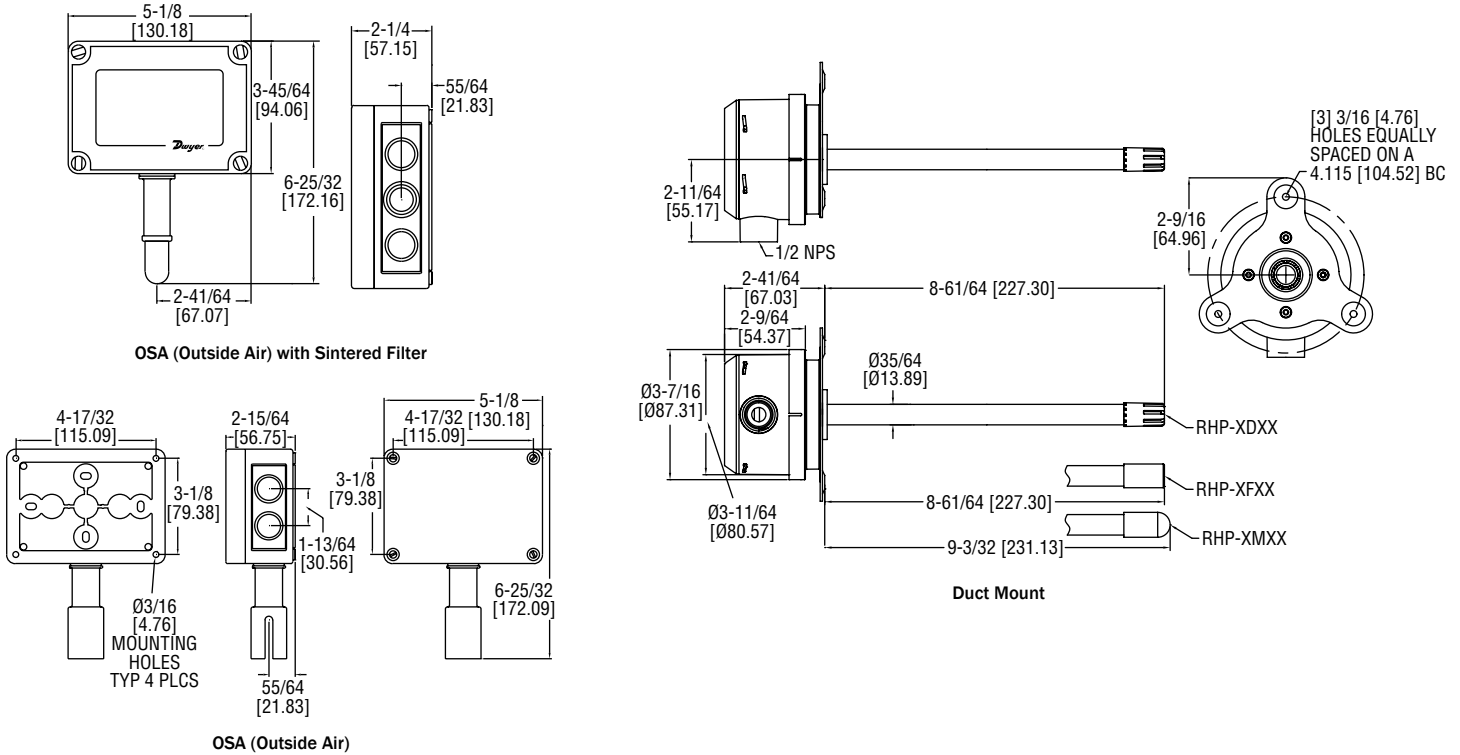
SPECIFICATIONS

Relative Humidity Range	0 to 100% RH.
Temperature Range	-40 to 140 °F (-40 to 60 °C).
Accuracy, RH	RHP-2XXX ±2% 10-90% RH @ 25 °C; RHP-3XXX ±3% 20-80% RH @ 25 °C; RHP-5XXX ±5% 20-80% RH @ 25 °C.
Accuracy, Thermistor Temp Sensor	±0.2 °C @ 25 °C (±0.36 °F @ 77 °F).
Accuracy, RTD Temp Sensor	DIN Class B; ±0.3 °C @ 0 °C (±0.54 °F @ 32 °F).
Accuracy, Solid State Band Gap	±0.9 °F @ 77 °F (±0.3 °C @ 25 °C).
Hysteresis	±1%.
Repeatability	±0.1% typical.
Temperature Limits	-40 to 140 °F (-40 to 60 °C).
Storage Temperature	-40 to 176 °F (-40 to 80 °C).
Compensated Temperature Range	-4 to 140 °F (-20 to 60 °C).
4 to 20 mA Loop Powered Models	Power requirements: 10 to 35 VDC; Output signal: 4 to 20 mA.
0-5/10V Output Models	Power requirements: 15 to 35 VDC or 15 to 29 VAC; Output signal: 0 to 10 V @ 5 mA max.
Response Time	15 seconds.
Electrical Connections	Removable screw terminal block.
Conduit Connection	Duct mount: 1/2" NPS; OSA: PG11 or PG16 (1/2" conduit) knockouts.
Drift	< 1% RH/year.
RH Sensor	Capacitance polymer.
Temperature Sensor	Types 1, 2, 3: Solid state band gap; Curves A, B, C: Thermistor; Curves D, E: Platinum RTD DIN 385.
Enclosure	Duct mount: PBT; OSA: Polycarbonate.
Enclosure Rating	Duct mount: NEMA 4X (IP66) for housing only; OSA: NEMA 4X (IP66).
Display	Duct mount only, optional 2-line alpha numeric, 8 characters/line.
Display Resolution	RH: 0.1%; 0.1 °F (0.1 °C).
Weight	Duct mount: .616 lb (.3 kg); OSA: 1 lb (.45 kg).
Agency Approvals	CE.



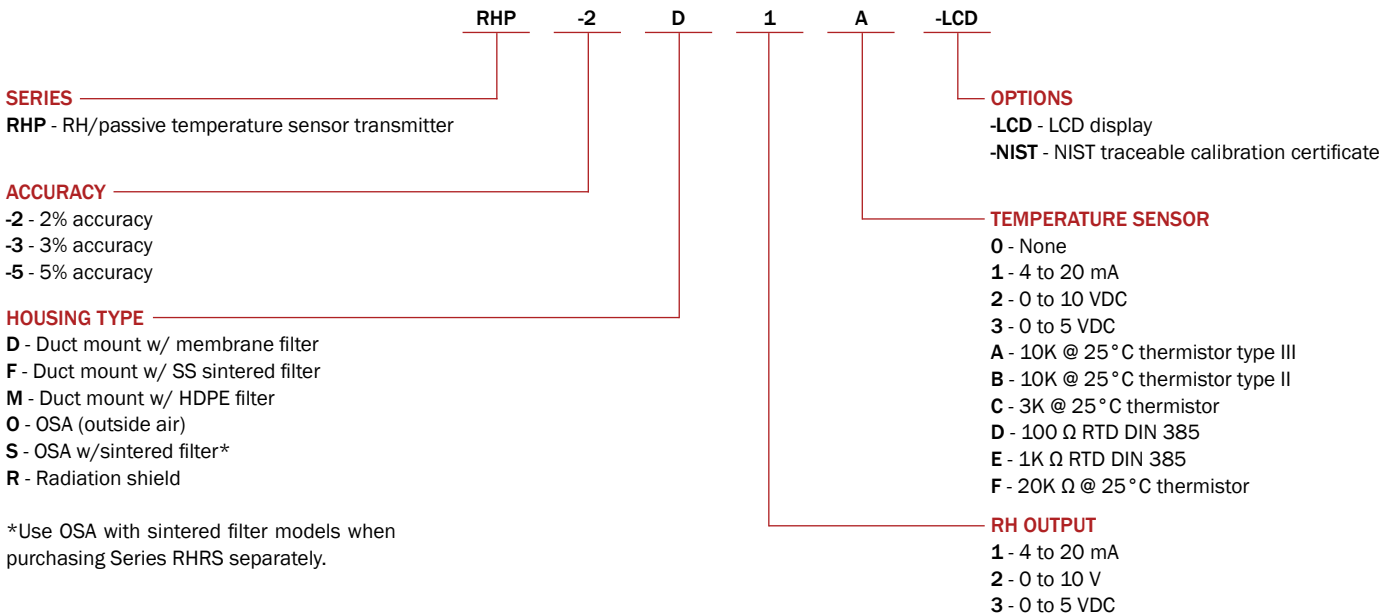


DIMENSIONS



HOW TO ORDER

Use the **bold** characters from the chart below to construct a product code.



*Use OSA with sintered filter models when purchasing Series RHRS separately.

Important Notice: Dwyer Instruments, Inc. reserves the right to make changes to or discontinue any product or service identified in this publication without notice. Dwyer advises its customers to obtain the latest version of the relevant information to verify, before placing any orders, that the information being relied upon is current.

