



SERIES 7000 & 7000B

SPIRAHELIC® DIRECT DRIVE PRESSURE GAGE

Panel Mount, 4-1/2" & 8-1/2" Dials, ASME Grades 2A & 3A

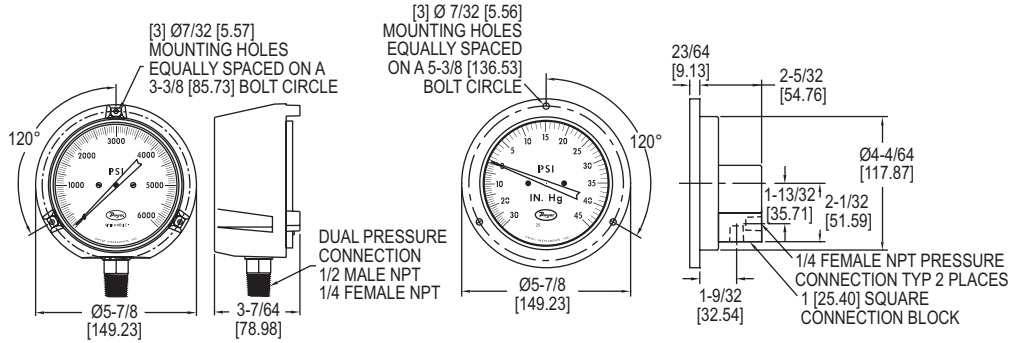
GRADE 2A ACCURACY



7112 (4-1/2" Dial)



7000B



The **SERIES 7000 & 7000B** Spirahelic® Pressure Gages employ a unique triple helix Bourdon tube for precision measurement of compatible gases and liquids. The direct drive design reduces friction and mass, resulting in exceptionally good responsiveness, repeatability and accuracy. Because there are no gears, springs, linkages or other complicated mechanisms, wear is practically eliminated. The Series 7000 has solid brass or 316 stainless steel connection block features convenient dual 1/4" female NPT ports-one each on back and bottom. Block also includes integral filter plug to keep dirt out. Safety is assured with solid front case design and rear blowout hole. Gages fit ASME standard panel cutouts, 4.94" (125 mm) -7100; 6.5" (165.1 mm) -7300. The Series 7000B Spirahelic® Direct Drive Pressure Gages comes with turret mount housings and standard with a dual-size 1/2" male NPT and 1/4" female NPT process connection.

FEATURES/BENEFITS

- Direct drive design with single moving part maximizes lifespan and accuracy without the need to recalibrate
- Elastic Bourdon tube resists overpressure and returns to original setting
- Blowout hole prevents early failure from high overpressure conditions
- Single element sensing means total lower cost of ownership because of long service life and lower cost to maintain

APPLICATIONS

- Systems with high cycle rates
- Process with problematic pressure surges and spikes
- Environmental with continuous vibration shock

MODEL CHART - 4-1/2" DIAL, GRADE 2A ACCURACY (1/2% OF FS)	
Model	Range (psig)
7112-G030	30
7112-G060	60
7112-G100	100
7112-G200	200

MODEL CHART - GRADE A ACCURACY (2%-1%-2%)	
Model	Range (psig)
7100B-G100	100
7100B-G200	200
7100B-G300	300

MODEL CHART - GRADE 2A ACCURACY (1/2% OF FS)	
Model	Range (psig)
7112B-G030	30
7112B-G060	60
7112B-G100	100
7112B-G160	160
7112B-G200	200
7112B-GC010	1000

ACCESSORIES	
Model	Description
A-341	Brass adapter, 1/4" male NPT to G 1/2A (per ISO 228/1) parallel thread 2-1/2" length

SPECIFICATIONS

Service: Compatible gases & liquids.

Wetted Materials: Grade A accuracy: Inconel® X-750 alloy Bourdon tube, nickel plated brass connection block; Grade 2A accuracy: Inconel® X-750 alloy Bourdon tube, type 316L SS connection block.

Housing: Black polycarbonate case and clear acrylic cover.

Accuracy: Grade A (2%-1%-2%); Grade 2A (0.5% FS).

Pressure Limit: 150% of full-scale. Gage will maintain its specifications for overpressures up to 150% max. range. Normal operation should be between 25% and 75% of full-scale.

Temperature Limits: -65 to 180°F (-53.9 to 82.2°C).

Sizes: 4-1/2" dial face (114.3 mm), 8-1/2" dial face (215.9 mm), design conforms to ASME B40.1.

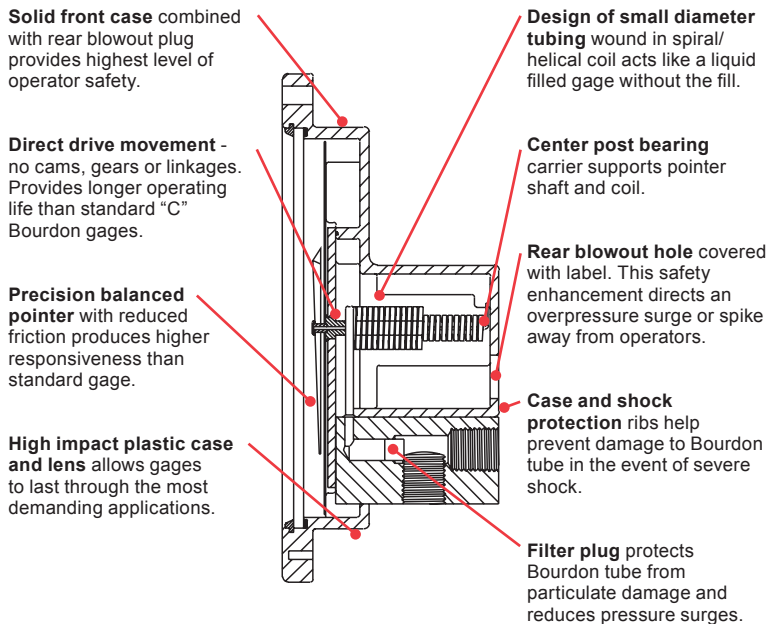
Process Connections: 7000: Two 1/4" female NPT field-selectable back or bottom connection; 7000B: Dual size 1/2" male NPT X 1/4" female NPT, bottom connections.

Weight: 7000: 4-1/2" dial face: 16.3 oz (462.1 g); 8-1/2" dial face: 27.3 oz (773.9 g); 7000B: 18.2 oz (516 g).

Standard Accessory: One 1/4" male NPT stainless steel plug.

Note: Additional ranges and accuracy requirements are available. Please consult the factory for details.

PRECISION DESIGN ENSURES MAINTENANCE-FREE PERFORMANCE



USA: California Proposition 65

⚠WARNING: Cancer and Reproductive Harm - www.P65Warnings.ca.gov

Inconel® is a registered trademark of Huntington Alloys Corporation