

## Duct sensor Humidity / Temperature

For measuring the relative or absolute humidity and temperature in duct applications. Instead of the humidity signal, the enthalpy or the dewpoint can be selected as an output signal. IP65 / NEMA 4X rated enclosure.



## Type Overview

Type	Output signal active humidity	Output signal passive temperature
22DTH-11MM	0...5 V, 0...10 V	NTC10k Pre (10k3)
22DTH-11MN	0...5 V, 0...10 V	NTC10k Carel

## Technical data

<b>Electrical data</b>	Nominal voltage	AC/DC 24 V
	Nominal voltage range	AC 21.6...26.4 V / DC 13.5...26.4 V
	Power consumption AC	0.8 VA
	Power consumption DC	0.4 W
	Electrical connection	Pluggable spring loaded terminal block max. 2.5 mm <sup>2</sup>
	Cable entry	Cable gland with strain relief ø6...8 mm
<b>Functional data</b>	Sensor technology	Polymer-based capacitive sensor with stainless steel wire mesh filter
	Application	Air
	Voltage output	1 x 0...5 V, 0...10 V, min. resistance 10 kΩ
	Output signal active note	Output 0...5/10 V with Jumper adjustable
	Output signal passive temperature	NTC10k Pre (10k3) NTC10k Carel
<b>Measuring data</b>	Measured values	Relative humidity Absolute humidity Dew point Enthalpies Temperature
<b>Specification Temperature</b>	Measuring range	-35...70°C [-30...160°F] (Passive sensor)
	Accuracy temperature passive	±0.2°C @ 25°C [±0.35°F @ 77°F]
	Time constant τ (63%) in the air duct	Typical 136 s @ 3 m/s
<b>Specification Humidity</b>	Measuring range	0...100% RH
	Measuring range absolute humidity	adjustable at the transducer: 0...50 g/m <sup>3</sup> (default setting) 0...80 g/m <sup>3</sup>
	Measuring range enthalpy	0...85 kJ/kg

**Technical data**

<b>Specification Humidity</b>	Measuring range dew point	adjustable at the transducer: 0...50°C (default setting) -20...80°C
	Accuracy	±2% between 0...80% RH @ 25°C
	Long term stability	±0.3% RH p.a. @ 21°C @ 50% RH
	Time constant $\tau$ (63%) in the air duct	Typical 10 s @ 3 m/s
<b>Safety data</b>	Protection class IEC/EN	III, Safety Extra-Low Voltage (SELV)
	Power source UL	Class 2 Supply
	Degree of protection IEC/EN	IP65
	Degree of protection NEMA/UL	NEMA 4X
	EU Conformity	CE Marking
	Certification IEC/EN	IEC/EN 60730-1
	Quality Standard	ISO 9001
	UL Approval	cULus acc. to UL60730-1A/-2-9/-2-13, CAN/CSA E60730-1/-2-9
	Type of action	Type 1
	Rated impulse voltage supply	0.8 kV
	Pollution degree	3
	Ambient humidity	Max. 95% RH, non-condensing
	Ambient temperature	-35...50°C [-30...122°F]
	Fluid humidity	0...100% RH, short-term condensation permitted
Fluid temperature	-40...80°C [-40...175°F]	
Operating condition airflow	max. 12 m/s	
<b>Materials</b>	Cable gland	PA6, black
	Housing	Cover: PC, orange Bottom: PC, orange Seal: NBR70, black UV resistant

**Safety notes**


This device has been designed for use in stationary heating, ventilation and air-conditioning systems and must not be used outside the specified field of application. Unauthorised modifications are prohibited. The product must not be used in relation with any equipment that in case of a failure may threaten humans, animals or assets.

Ensure all power is disconnected before installing. Do not connect to live/operating equipment.

Only authorised specialists may carry out installation. All applicable legal or institutional installation regulations must be complied with during installation.

The device contains electrical and electronic components and must not be disposed of as household refuse. All locally valid regulations and requirements must be observed.

**Remarks**

**General remarks concerning sensors** Sensing devices with a transducer should always be operated in the middle of the measuring range to avoid deviations at the measuring end points. The ambient temperature of transducer electronics should be kept constant. The transducers must be operated at a constant supply voltage ( $\pm 0.2$  V). When switching the supply voltage on/off, onsite power surges must be avoided.

## Remarks

**Remark: Occurring draft leads to a better carrying-off of dissipative power at the sensor. Thus temporally limited fluctuations might occur upon temperature measurement.**

**Build-up of self-heating by electrical dissipative power**

Temperature sensors with electronic components always have a dissipative power which affects the temperature measurement of the ambient air. The dissipation in active temperature sensors shows a linear increase with rising operating voltage. The dissipative power should be taken into account when measuring temperature.

In case of a fixed operating voltage ( $\pm 0.2$  V), this is normally done by adding or reducing a constant offset value. As Belimo transducers work with a variable operating voltage, for reasons of production engineering only one operating voltage can be taken into consideration. Transducers 0...10 V / 4...20 mA have a standard setting at an operating voltage of DC 24 V. This means that at this voltage, the expected measuring error of the output signal will be the least. For other operating voltages, the offset error will be increased by a changing power loss of the sensor electronics.

If a readjustment directly at the active sensor should be necessary during later operation, this can be done with the following adjustment methods.

- For sensors with NFC or dongle with the corresponding Belimo app
- For sensors with a trimming potentiometer on the sensor board
- For bus sensors via bus interface with a corresponding software variable

**Application notice for humidity sensors**

The humidity sensor is extremely sensitive. Touching the sensor element or exposing it to aggressive substances like chlorine, ozone, ammonia, hydrogen peroxide or ethanol (i.e. as a cleaning agent) may affect the measurement accuracy.

Long term operation outside the recommended conditions (5...60°C and 20...80% RH) can result in a temporary offset. After returning into the recommended range, this effect disappears.

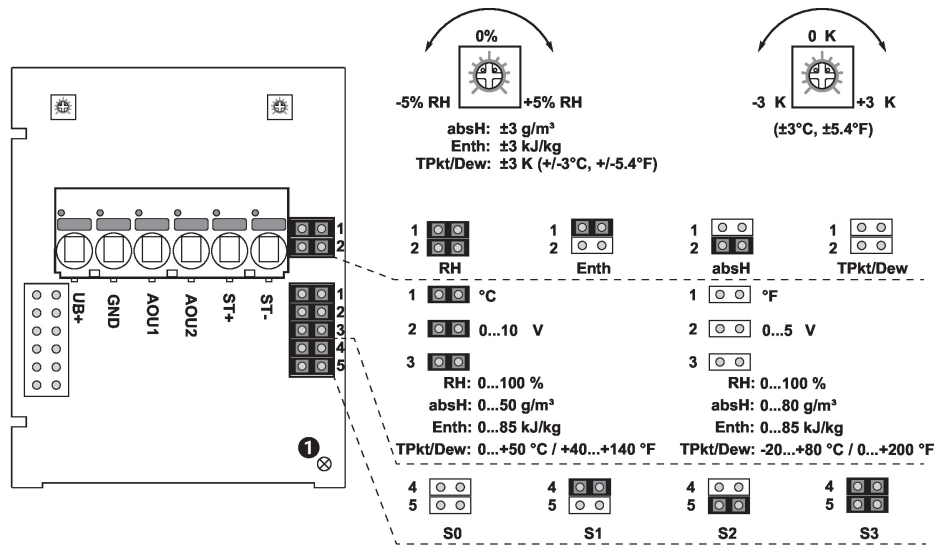
## Parts included

Description	Type
Mounting flange for duct sensor 19.5 mm, up to max. 120°C [248°F], Plastic	A-22D-A35

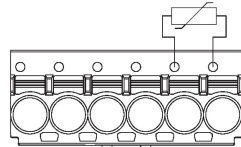
## Accessories

Optional accessories	Description	Type
	Replacement filter sensor probe tip, wire mesh, Stainless steel	A-22D-A06
	Connection adapter flex conduit, M20x1.5, for cable gland 1x 6 mm, Multipack 10 pcs.	A-22G-A01.1

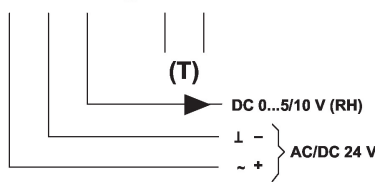
Wiring diagram



0...5/10 V + ST

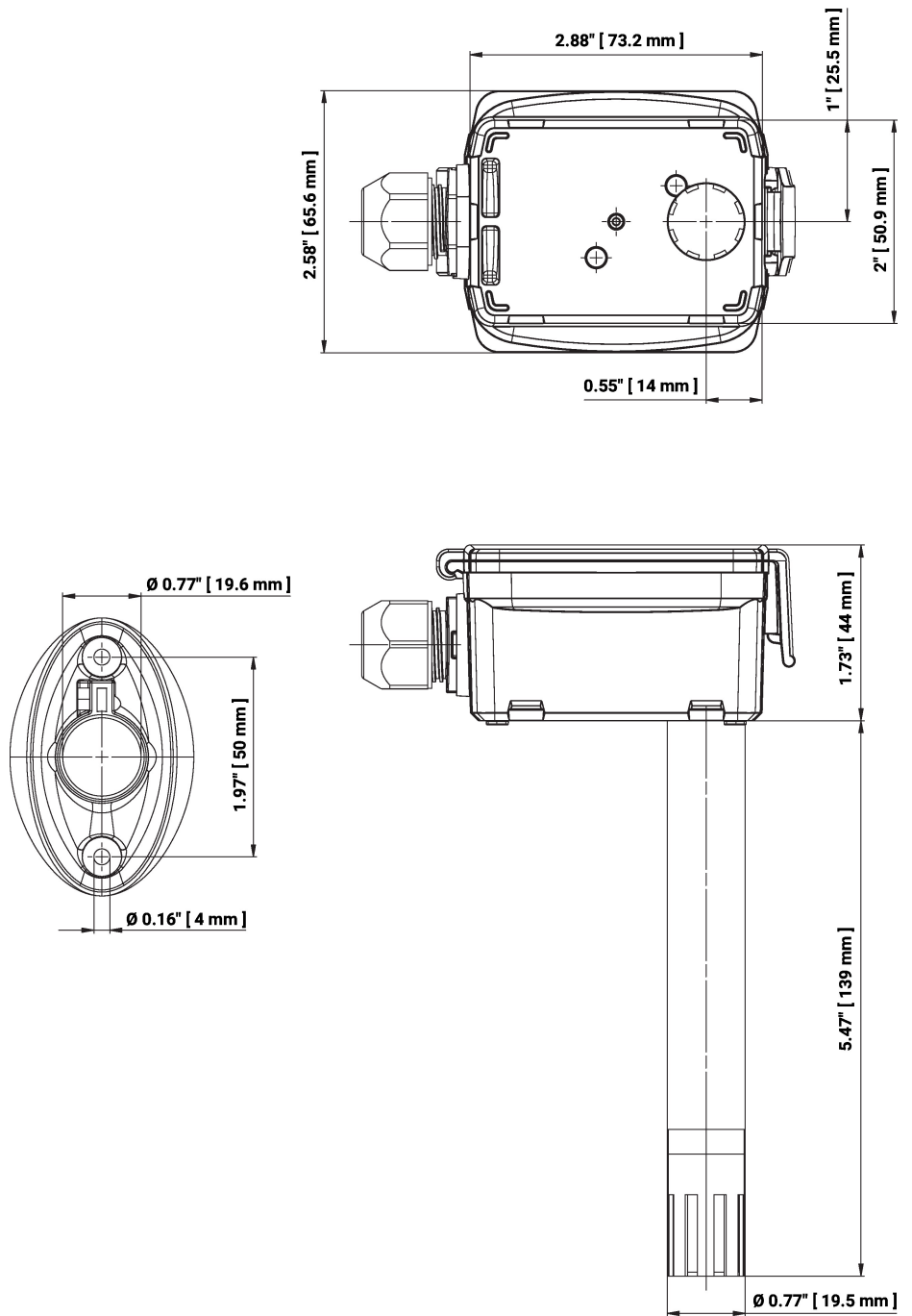


- ① Status LED
- RH Relative humidity
- absH Absolute humidity
- Enth Enthalpy
- TPkt/Dew Dew point  
(Measurement value available on Output AOU1)



Connectors ST+ / ST- are only used for sensor types which additionally have a passive resistance sensor element for temperature measurement.  
The adjustment of the measuring ranges is made by changing the bonding jumpers.  
The output value in the new measuring range is available after 2 seconds.

## Dimensions



Type	Probe length	Weight
22DTH-11MM	140 mm	0.14 kg
22DTH-11MN	140 mm	0.14 kg

## Further documentation

- Installation instructions
- Resistance characteristics